



# OPTICAL TRANSMITTERS A 1GHZ AND 2.2 GHz

## TO 3 1310 · TO 3 FI

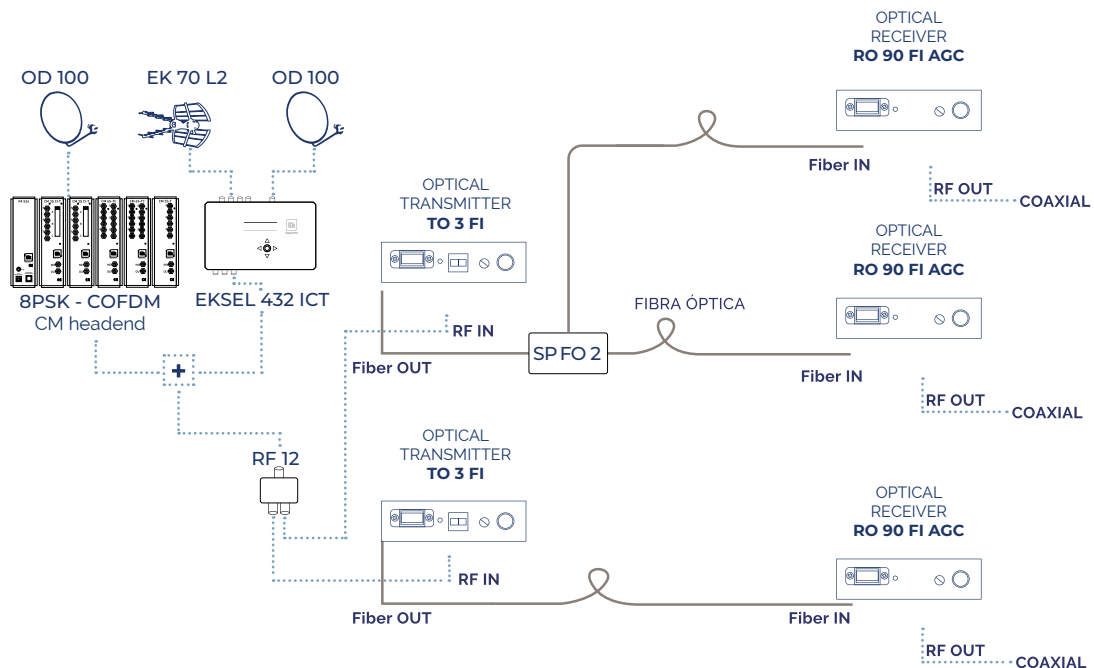
- ✓ They allow the distribution of radiofrequency signal over long distances taking advantage of optical fiber
- ✓ Led indicator of the optical output level
- ✓ Allows selection of satellite band and polarity (TO 3 FI)
- ✓ Input level regulation



TO 3 1310



TO 3 FI



## TECHNICAL TABLE

REFERENCE		TO 3 1310	TO 3 FI
Code		271017	271001
RF Input			
Frequency	MHz	47 - 1000	30 - 2150
Flatness	dB	≥1	≥1
TV input level (AGC)	dBμV	75-85	75-85
SAT input level (AGC)	dBμV	-	76-92
Input level TV + SAT (AGC)	dBμV	-	72-84
Input regulation	dBμV	20	20
Return loss	dB	≥16	≥12
Connector		Tipo F	Tipo F
Optical output			
Wavelength	nm	1310	1310
Optical power output	dBm	3	3
Laser type		DFB	DFB
Optical adaptation	dB	>50	>50
Optical connector		SC / APC	SC / APC
Power supply	Vdc	12 (included)	12 (included)
LNB power supply	Vdc KHz	-	13 - 18 0 - 22
Operating temperature	°C	-20...+55	-20...+55
Dimensions	mm	73x103x23	73x103x23