

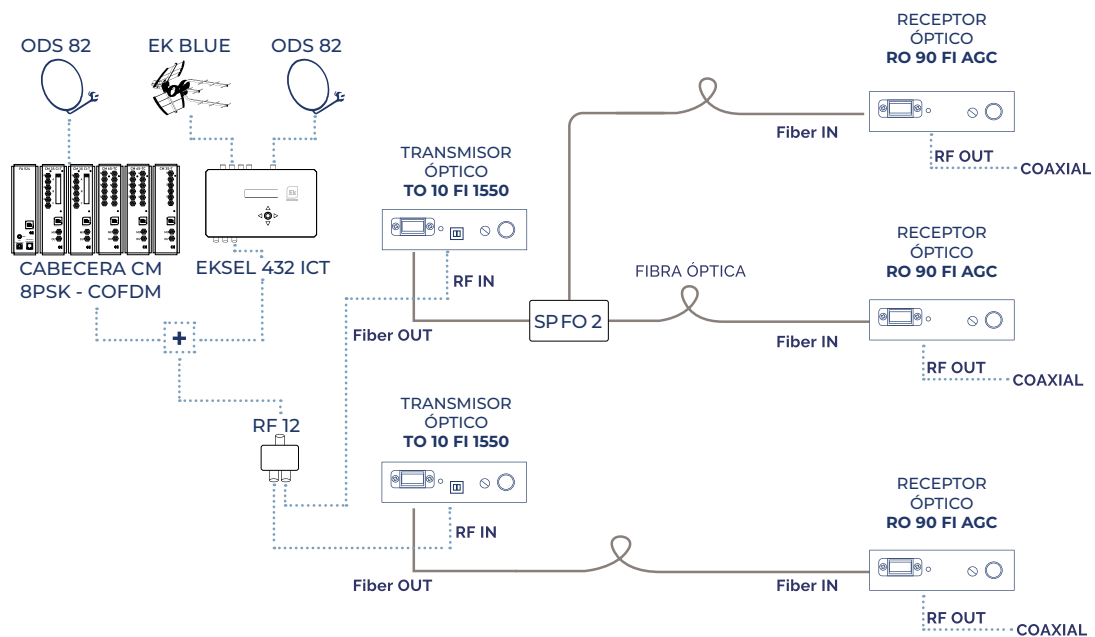
# OPTICAL TRANSMITTER

## TO 10 FI 1550

- ✓ They allow the distribution of radiofrequency signal over long distances taking advantage of optical fiber
- ✓ Led indicator of the optical output level
- ✓ Allows selection of satellite band and polarity
- ✓ Input level regulation
- ✓ Wavelength: 1550nm
- ✓ Optical power: 10 dBm



TO 10 FI 1550



## TECHNICAL INFORMATION

REFERENCE		TO 10 FI-1550
Code		271022
RF Input		
Frequency	MHz	47 - 2150
Flatness	dB	±0,75
TV input level	dBμV	70-80*
SAT input level	dBμV	58-78**
Input regulation	dBμV	20
Return loss	dB	≥14
Input impedance	Ω	75
Connector		Tipo F
Optical output		
Wavelength	nm	1550
Optical power output	dBm	10
Laser type		DFB
Optical adaptation	dB	>45
Optical connector		SC / APC
Input voltage	Vac	88 - 264
Input Frequency	Hz	47 - 63
Corriente máxima	mA	500
LNB power supply	Vdc KHz	13 - 18 0 - 22
Operating temperature	°C	-20...+55

(\*) 59 Ch PAL-I canales analógicos

(\*\*) 36 Ch QPSH

- Specifications and design are subjected to change without notice

- The product meets the requirements governing the CE marking. The declaration of conformity is available on the website [www.ek.plus](http://www.ek.plus)