

---

# INTERNET OVER COAX

---

## KIT IP



### IPC-B MINI

- ✓ IP reception signal via coaxial cable
- ✓ Working bandwidth 7,5-65 MHz
- ✓ 1 port LAN
- ✓ Transparent media converter (bridge)
- ✓ With IPTV management for indoor internet extension

### IPC-BMH

- ✓ Master device for indoor use
- ✓ IP transmission over coaxial cable
- ✓ Frequency 7,5-65 MHz
- ✓ 600 Mbps speed (physical layer)
- ✓ Up to 6 slave-devices IPC-S / IPC-S2 / IPC AC
- ✓ Plug&Play
- ✓ 1 RJ45 Port
- ✓ With IPTV management for indoor internet extension



EKSELANS BY ITS



IPC-B MINI · IPC-BMH



## TECHNICAL TABLE

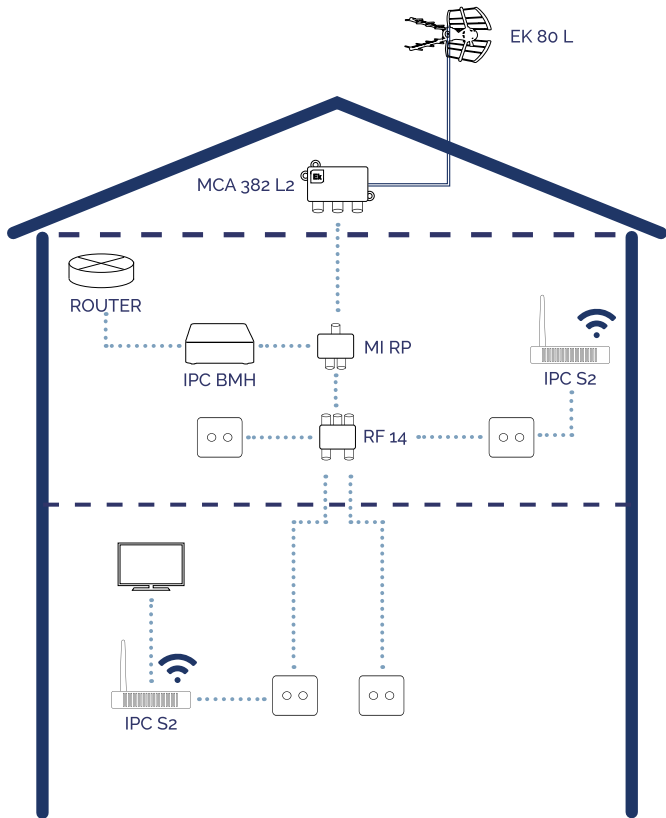
REFERENCE	IPC-B MINI
Code	250013
Operating characteristics	
RF parameters	
Frequency	7.5–65MHz
Minimum input level	45 dBuV
Return loss	> 15 dB
Transmission speed	
Physical layer speed	600Mbps
Operating mode	TDMA / CSMA
Encryption	AES-128
Standards	
EOC Standard	IEEE P1901 HomePlug AV
Ethernet protocols	IEEE802.3, IEEE802.3x, IEEE802.3u, IEEE802.1P, IEEE802.1Q
Software	
Manner of use	Network management WEB, CLI and SNMP
Software characteristics	VLAN, QoS, bandwidth control, limitation "broadcast storm",...
Connections	
RF Connection	1RF IN (connector F)
Ethernet Interface	1 10/100 Ethernet (connectors RJ45) port
Power Supply	DC12Vdc Connector
Consumption	< 5W
Operating mode	Bridge

REFERENCE	IPC BMH
Code	250015
Operating characteristics	
RF parameters	
Frequency	7,5 – 65 MHz
Output level	95 dBuV
Minimum input level	45 dBuV
Return loss	> 15 dB
Transmission speed	
Physical layer speed	600 Mbps
Physical layer MAC	300 Mbps
Modulation	OFDM-2690 portadoras 4096/1024/256/64/16/8-QAM, QPSK, BPSK, ROBO
Operating mode	TDMA / CSMA
Encryption	AES-128
Standards	
EOC Standard	IEEE P1901 HomePlug AV
Ethernet protocols	IEEE802.3, IEEE802.3x, IEEE802.3u, IEEE802.1P, IEEE802.1Q
RF Connection	1 RF OUT (conector F)
Ethernet Interface	1 port Ethernet (RJ45)
Alimentation	12 Vdc
Consumption	< 5 W



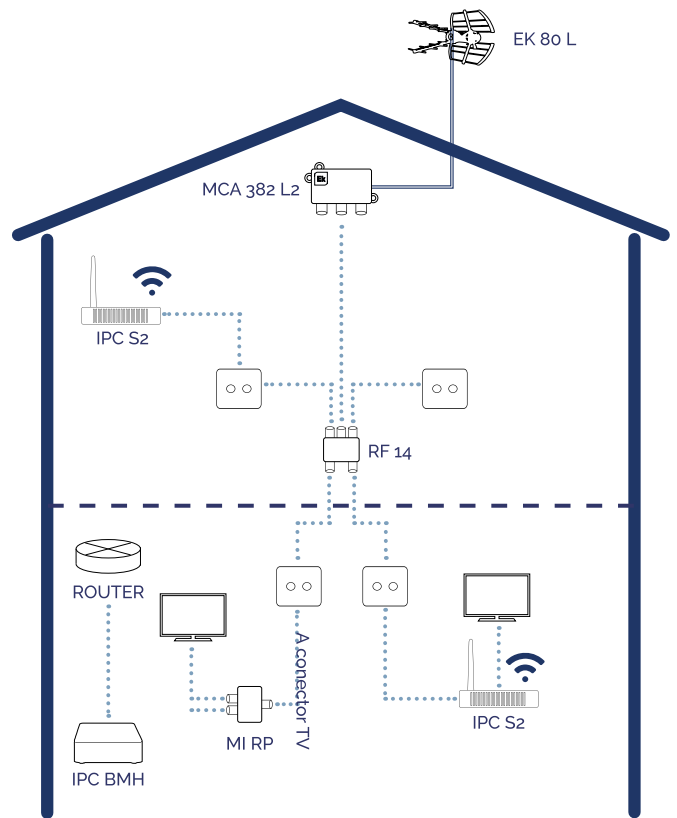
### INSTALLATION DIAGRAM 1

SINGLE-FAMILY HOME



### INSTALLATION DIAGRAM 2

SINGLE-FAMILY HOUSE



### INSTALLATION DIAGRAM 3

APARTMENT

#### ICT INSTALLATION

