

# CM HEADEND

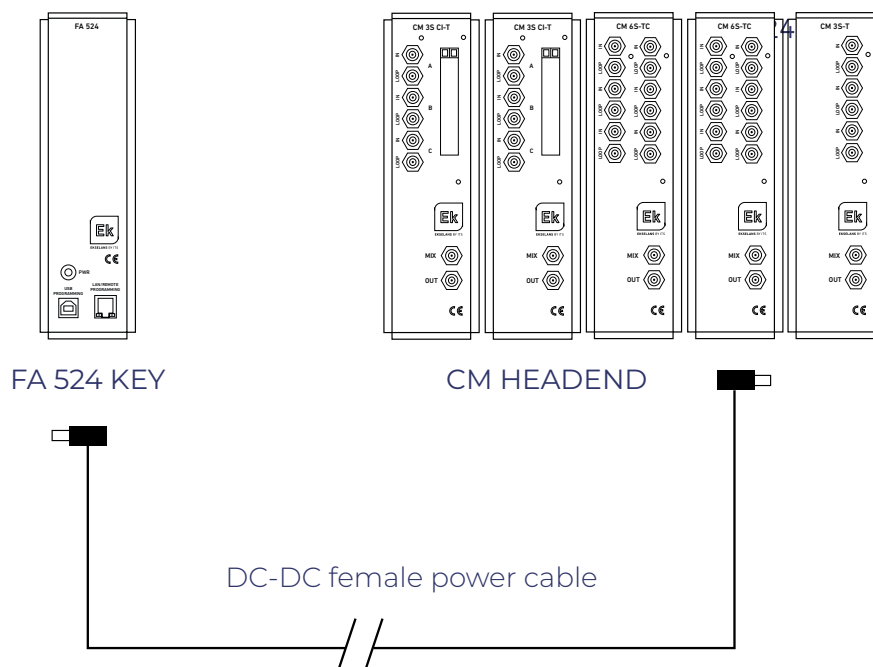
## FA 524 KEY



- ✓ Power supply with programming module and remote access management
- ✓ High efficiency switching power supply
- ✓ Includes protection fuses against electrical current overload
- ✓ Allows centralized headend programming and remote management
- ✓ CM KEY included



## FA 524 KEY connection diagram



## TECHNICAL TABLE

REFERENCE		FA 524 KEY
Code		082045
Input voltage	Vac	90-253
Input frequency	Hz	50-60
Output voltage	Vdc	5
Maximum current	A	24
Maximum power	W	120
Type		Modular
Working temperature	°C	0-45
Programming port		Connector USB
Remote management		Connector RJ45

REFERENCE	CH3 TR	CHM TR	CHR TR
Code	080008	080005	080006
Description	Wall Chassis for 3 CM serie's modules	Wall Chassis for 6 CM serie's modules	Wall-mount 19" rack 6 CM
Number of modules	2 + Power supply	5 + Power supply	5 + Power supply
Mounting	Wall		Rack 19"
Height in rack units	-	-	6 U
Measurements	187x265x26 mm	427x265x26 mm	475x265x200 mm
Material	Galvanized steel		

- Specifications and design are subject to change without notice

- The product meets the requirements governing the CE marking. The declaration of conformity is available on the website [www.ek.plus](http://www.ek.plus)