

Ek

EKSELANS BY ITS

MICRO INDOOR AMPLIFIER

QuiCoax® F
↔ CONNECTOR

AA QCF 211 · AA QCF 182 ·
AA QCF 182 SC

THE PERFECT
TECHNICAL
SOLUTION
FOR ANY
INSTALLATION

- ✓ Micro indoor amplifier
- ✓ Gain 17dB
- ✓ 2 outputs 110dBuV
- ✓ Without AC power cable. Direct connection with electrical cable terminal
- ✓ Easy to install



AA QCF 211



AA QCF 182 SC

QuiCoax® F
↔ CONNECTOR

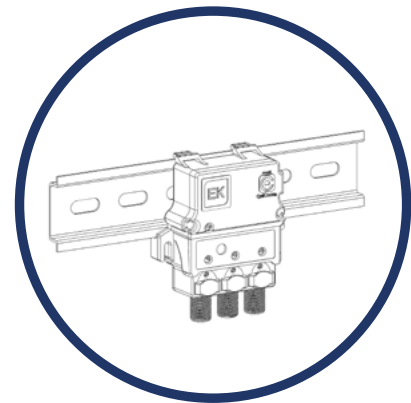
NOW WITH **F CONNECTOR**
ALREADY INSERTED



ALL REFERENCES
INCLUDE
F CONNECTORS
ALREADY INSERTED



YOU CAN **CONVERT**
THEM TO QUICOAX
BY REMOVING THE
F CONNECTORS AND
THUS ENJOY ALL ITS
ADVANTAGES



DIN rail mounting

TECHNICAL TABLE

REFERENCE		AA QCF 211	AA QCF 182	AA QCF 182 SC
Code		111016	111017	111018
Inputs	N.	1	1	1
Outputs	N.	1	2	2
Frequency Range	MHz	47 -694	47 -694	47 -694
Gain	dB	21	17	17
Regulation	dB	10	10	10
Output Level DIN 45004B	dBµV	114	2 x 110	2 x 110
Return Loss	dB	>10	>10	>10
Noise Figure	dB	<3	<3	<3
Power Supply	V	100-240	100-240	100-240*
Power Consumption	W	0,9	0,9	0,9

* Without AC network cable. Direct connection via power block



AA QCF 211 · AA QCF 182



AA QCF 182 SC