



EKSELANS BY ITS

# RFID CARD ACCESS CONTROL SYSTEM



ENTER THE EK WORLD



# ACCESS CONTROL

## CCA / LCA

REFERENCE		CCA
Code		370001
Maximum number of users		<1000
Transmission protocol reader-controller		Wiegand
Working voltage / Nominal		
AC	V (rms)	12~30 / (24)
DC	Vdc	9~24 / (12)
Consumption (Standby /Maximum)		
AC	mA (rms)	115 / 170
DC	mA	60 / 80
Lock maximum consumption	A	2
Maximum distance IR sensor - Keyboard	m	<10
Working temperature	°C	-40 ~ 60
Working condition humidity	% Hum	0 ~ 90
Dimensions	mm	90 x 63 x 22

REFERENCE		LCA
Code		370002
Card type		Mifare
Frequency	MHz	13,56
Reading range	cm	3
Output protocol		Wiegand 34b
Mains voltage	Vdc	9~24
Consumption (Standby)	mA	25
Protection index		IP66
Working temperature	°C	-40 ~ 60
Dimensions	mm	103 x 48 x 19

- Controller CCA may be fed with a wide range of AC or DC voltage
- Compatible with various types of lock (AC / DC)
- Anti-vandal and water resistant card reader LCA (IP66). Fed from controller
- Adjustable opening time (1-99s)
- Expandable system through other controllers (door access)
- Manual or remote programming (Through remote control)
- Compatible with existing installations



# ACCESS CONTROL

## VICD-30-12

- Protection against short circuit, overvoltage and overload
- Optional DIN rail mounting
- Operation Led indicator



REFERENCE		VICD-30-12
Code		13/19500
Input voltage	Vac / Hz	85~264 / 47~63
Output voltage	Vdc	12
Output current	A	2
Working temperature	°C	-40~60
Working condition humidity	% Hum	20~90%
Dimensions	mm	78 x 93 x 56

## RF KEY

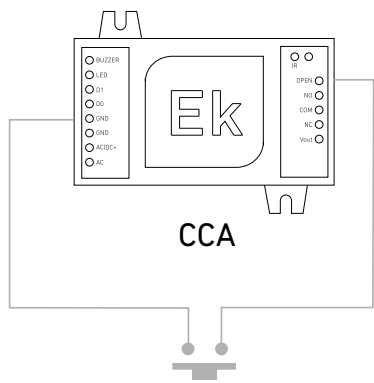
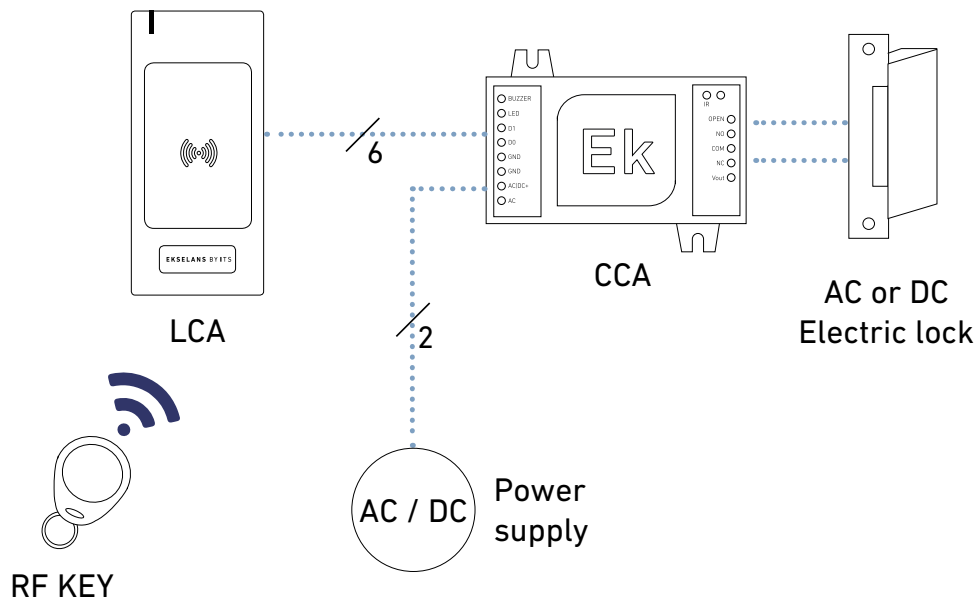
- Working frequency: 13.56MHz
- 5 PCS supply



REFERENCE		RF KEY
Code		371001
Frequency	MHz	13,56
Technology		Mifare
Packaging	PCS	5

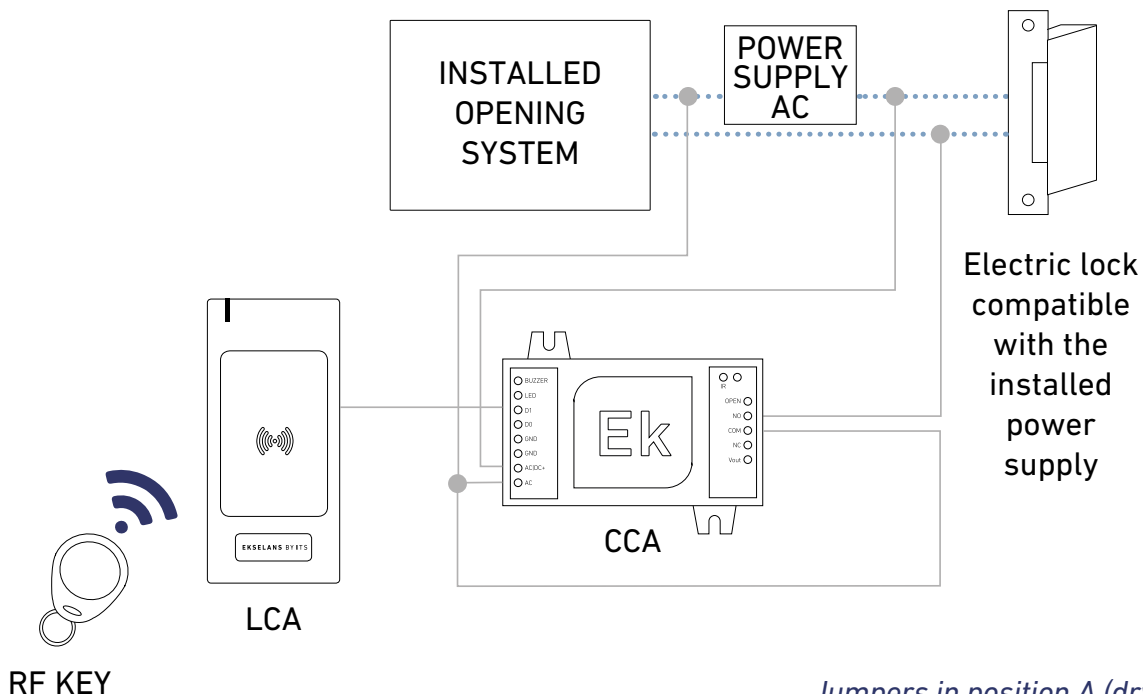


Wide range of input power.  
Facilitates installation with existing systems:  
**Vac 12 ~ 30 / Vdc 9 ~ 24**

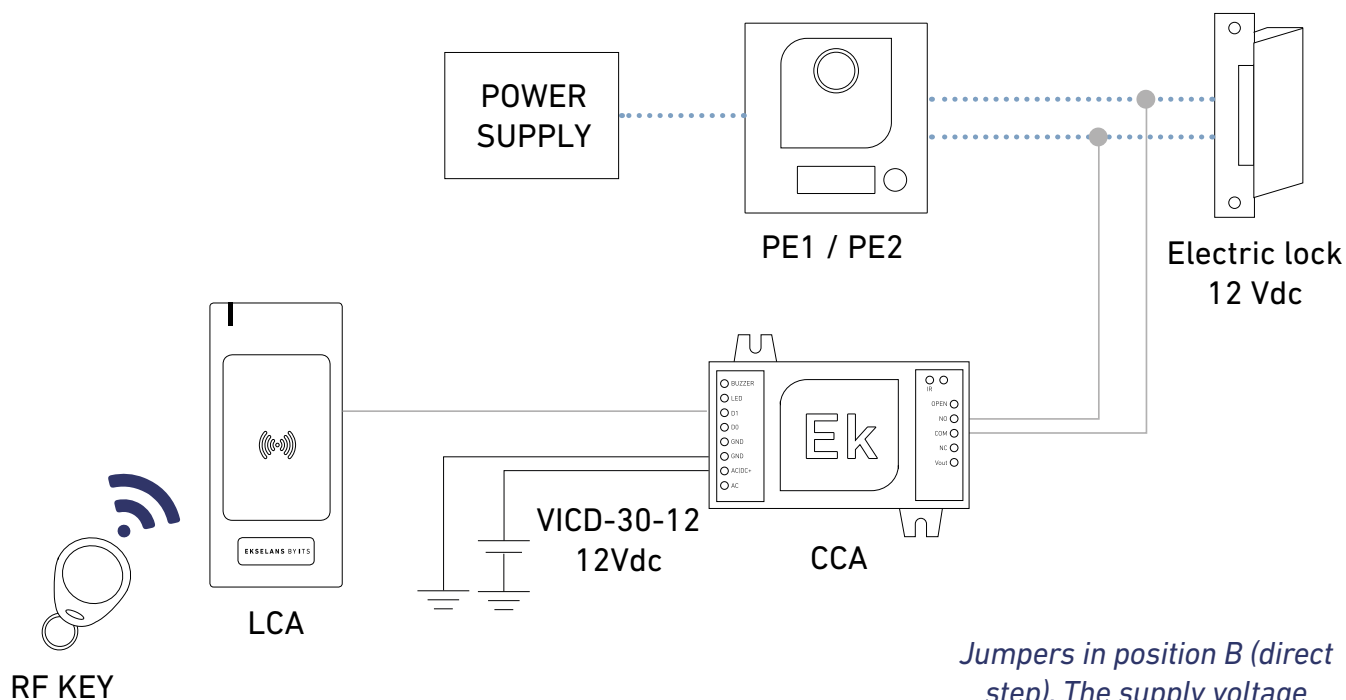


*Compatible with external push button.  
With this connection it is possible to  
open the door from the inside.*

Compatible with existing installations.  
 2 types of configurable connection according to the type of lock



*Jumpers in position A (dry contact).  
 The source of the lock feeds it and also feeds the controller itself.*



*Jumpers in position B (direct step).  
 The supply voltage passes to the output.*



**EKSELANS BY ITS**

**EKSELANS by ITS**

**ITS Partner O.B.S. S.L**

Av. Cerdanyola 79-81 Local C

08172 Sant Cugat del Vallès

Barcelona (España)

Tel: +34 93 583 95 43

[info@ek.plus](mailto:info@ek.plus)

[www.ek.plus](http://www.ek.plus)